

Technical data sheet



Product features

Cooling counter GN 1/1, pizza, 2 door, without display

Model	SAP Code	00009877
--------------	-----------------	----------



- Material: Stainless steel
- GN / EN size in device: GN 1/1
- Number of GN / EN: 2
- Number of doors: 2
- Control type: Digital
- Minimum device temperature [°C]: -2
- Maximum device temperature [°C]: 8
- Insulation thickness [mm]: 50
- Unit: Right

SAP Code	00009877	Number of doors	2
Net Width [mm]	1492	Number of GN / EN	2
Net Depth [mm]	800	GN / EN size in device	GN 1/1
Net Height [mm]	1130	Minimum device temperature [°C]	-2
Net Weight [kg]	223.00	Maximum device temperature [°C]	8
Power electric [kW]	0.247	Refrigerant	R290
Loading	230 V / 1N - 50 Hz	Climate class	4
Energy class	D		

Technical data sheet



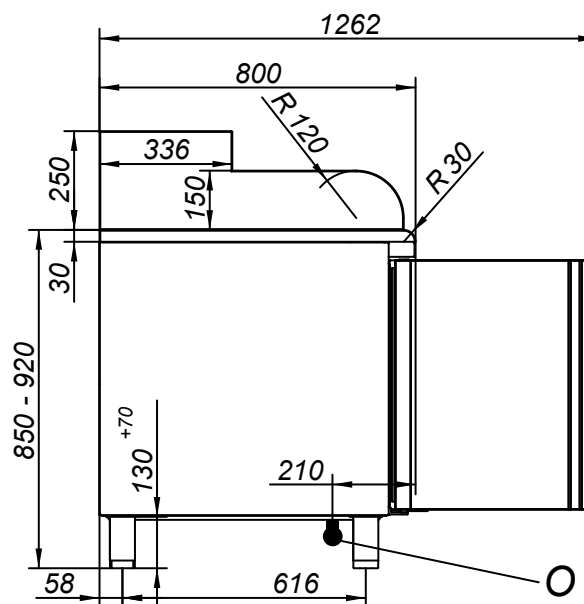
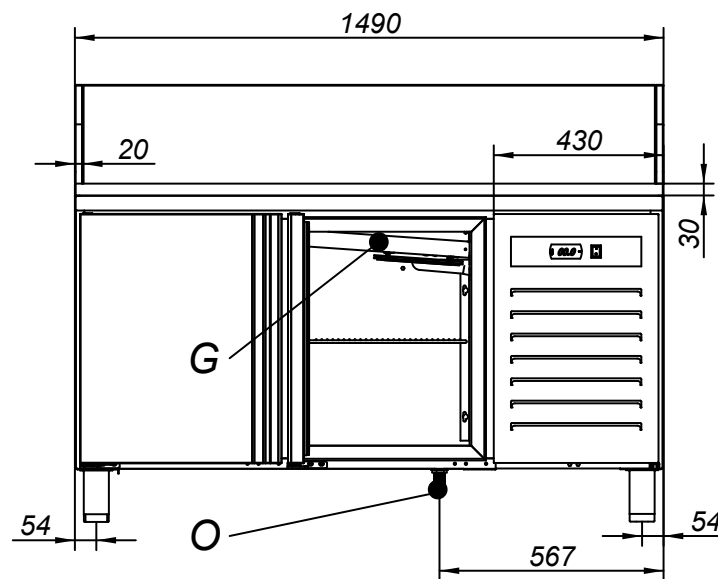
Technical drawing

Cooling counter GN 1/1, pizza, 2 door, without display

Model

SAP Code

00009877



G - Evaporator
O - Drainage

Technical data sheet



Technical parameters

Cooling counter GN 1/1, pizza, 2 door, without display

Model	SAP Code	00009877
--------------	-----------------	----------

1. SAP Code:

00009877

2. Net Width [mm]:

1492

3. Net Depth [mm]:

800

4. Net Height [mm]:

1130

5. Net Weight [kg]:

223.00

6. Gross Width [mm]:

1550

7. Gross depth [mm]:

840

8. Gross Height [mm]:

1200

9. Gross Weight [kg]:

236.00

10. Device type:

Electric unit

11. Power electric [kW]:

0.247

12. Loading:

230 V / 1N - 50 Hz

13. Energy class:

D

14. Refrigerant:

R290

15. Cooling type:

Dinamic

16. Material:

Stainless steel

17. Device properties 2:

Cooling

18. GN / EN size in device:

GN 1/1

19. Number of GN / EN:

2

20. Adjustable feet:

Yes

21. Pizza design:

Yes

22. Insulation thickness [mm]:

50

23. Number of doors:

2

24. Unit:

Right

25. Control type:

Digital

26. HACCP:

Yes

27. Minimum device temperature [°C]:

-2

28. Maximum device temperature [°C]:

8

Technical data sheet



Technical parameters

Cooling counter GN 1/1, pizza, 2 door, without display

Model	SAP Code	00009877
--------------	-----------------	----------

29. Gross Volume [m3]:

1.562

31. Climate class:

4

30. Net Volume [m3]:

1.349